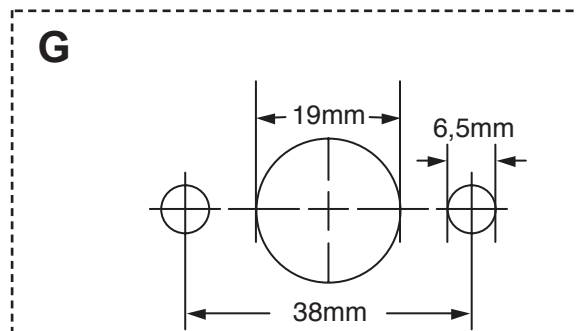
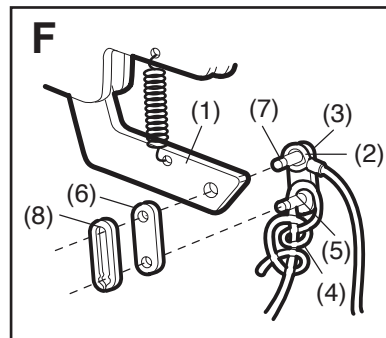
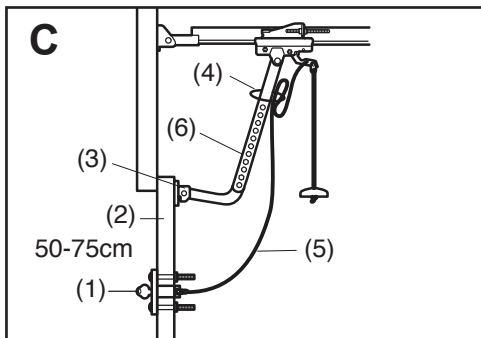
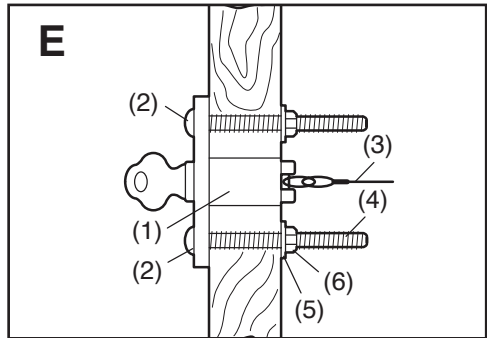
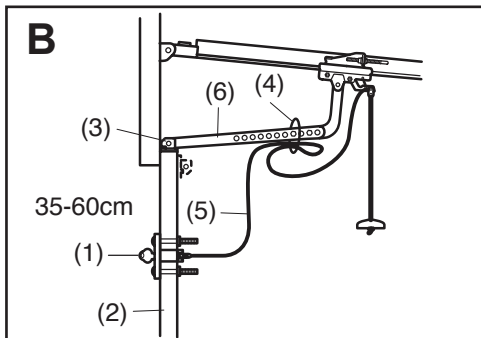
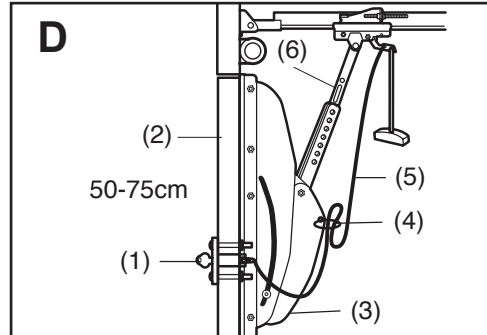
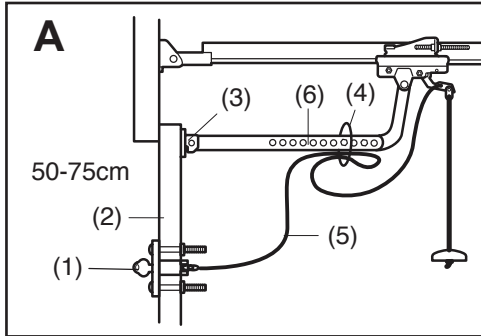


CHAMBERLAIN™
merlin
professional

Model CM1702

Outside Quick Release



Model CM1702 Outside Quick Release

As you proceed with the installation of Model CM1702 Outside Quick Release, refer to door types shown in Figures A, B, C and D:

Figure A: One-piece door with horizontal track only

Figure B: One-piece door without track

Figure C: Sectional Door with curved track

Figure D: Canopy and one-piece door with horizontal and vertical track with "The Chamberlain Arm" installed

Locate the Quick Release on the outside of your garage door (2). For doors **A, B and C**, center the Quick Release (1) below the opener door bracket (3). For door style **D**, locate Quick Release (1) approximately 10cm on either side of the door's centerline.

For one-piece doors *without track* (**B**), position lock 35-60cm below top of door. For all other door types (**A, C and D**), position the lock 50-75cm below the top of the door (refer to illustrations). **If door construction is metal, refer to special instructions contained in the "NOTE".**

Figure E – Install Outside Quick Release:

Fasten template **G** at marked location. From outside of door, drill a 19mm diameter hole for the lock (1) and two 6,5mm side holes (2) for the 1/4"-20x2-1/2" mounting bolts (4). **Drill all holes completely through the door.**

Uncoil cable attached to end of tumbler. Guide cable (3) through the 19mm diameter hole from outside the door. Insert lock assembly and position flush with door.

Insert the two mounting bolts into the side holes from outside of door.

Fasten from the inside with 1/4" washers (5) and hex nuts (6). Tighten nuts securely.

NOTE: On a metal door, the template must be positioned so that all the drilled holes will pass through the inside reinforcement stile of the door, if possible.

Figure F – Remove rope from trolley release arm (1). Place free cable loop (2) over one pin of the master link outside bar (3) as shown. Securely tie a loop (4) at free end of release rope and place over second pin in outside bar (5).

Push pin holding cable loop through hole in the release arm of the trolley. Push cap (6) onto the pins and into pin notches (7). Be sure cable loop and manual rope are secured to pins. Slide clip-on spring (8) over cap and lock onto pin notches.

Refer to Figures A, B, C and D; use plastic ties (4) to *loosely* secure the excess cable to door arm.

To Operate the Quick Release: Insert the key into lock and turn clockwise. Remove the key **AND** tumbler from the lock. Pull firmly on the cable. **Do not pull on the key or tumbler.** The outer trolley will disconnect from the inner trolley so the door can be opened manually. Trolley sections will reconnect automatically when the opener is started. Replace tumbler in the lock. Turn the key counterclockwise. Remove the key.

**Chamberlain Australia Pty Ltd
PO Box 1446
Lane Cove NSW 1595**

Toll Free: 1800 638 234

**Chamberlain New Zealand Ltd
PO Box 100-221
North Shore 0745**

Toll Free: 0800 MERLIN

www.chamberlainanz.com

