

Commander Platinum

OUR MOST POWERFUL OPENER - DESIGNED FOR PREMIUM HEAVY DOORS



RESIDENTIAL SECTIONAL GARAGE DOOR OPENER
BATTERY BACKUP CAPABLE

KEY FEATURES

EXTRUDED RAIL FOR HEAVY DOORS

Supplied with aluminium extruded rail, ideal for premium heavy doors.

MYQ INCLUDED

This model includes the myQ Connectivity Bundle to provide optimal entrapment protection for heavy doors as well as full myQ functionality.

POWERFUL LED LIGHTING

Illuminate your garage corner-to-corner.



Compliant to Australian and New Zealand Standard AS/NZS 60335.2.95



SMART



MYQ TECHNOLOGY lets users create schedules, monitor, receive alerts and control the garage door opener away from home.



SOFT-START AND SOFT-STOP for smooth operation.

QUIET & RELIABLE



7-YEAR WARRANTY



QUIET DC MOTOR eliminates noise and vibrations through the ceiling and provide smooth operation.



HEAVY-LIFTING POWER operates doors up to 350 kg.⁽²⁾



BATTERY BACKUP ensures access even when the power is out.¹

SAFE & SECURE



SECURITY+ 2.0[®] sends a new code with every remote click.



PREMIUM AUTOMATIC SAFETY REVERSE function will allow your garage door to stop and reverse automatically if obstructed going down or stop going up.



TIMER-TO-CLOSE automatically closes the door after a pre-set amount of time.³



IMPROVED TRANSMITTER RANGE has up to 18% better range meaning you can start opening your garage door sooner.⁴



AUTOMATIC FORCE SENSING monitors and adjusts the force needed to open your garage with each operation.



MANUAL RELEASE CORD allows you to open your garage door whenever needed.



SERVICE your Garage Door Opener and Garage Door by a professional annually.

STRONG AND INNOVATIVE RAIL



EXTRUDED ALUMINIUM RAIL IN 2 LENGTHS⁵

This extremely rigid and innovative rail features simple and convenient installation, chain capture and IR Beam wire concealment. Available in lengths to suit doors up 2.5m or 3.0m high.

ACCESSORIES INCLUDED



MYQ GATEWAY

Monitor and control away from home.

M828AU



THE PROTECTOR SYSTEM™

(Safety IR Beams) auto-reverses the door if there's an obstruction.

774ANZ



FOUR BUTTON REMOTE CONTROLS

Premium remotes to control up to 4 garage doors or gates. Each button can be programmed to Security+ and Security+ 2.0 devices.

E970M



FOUR BUTTON WIRELESS WALL MOUNT REMOTE CONTROL

4 button wall remote to control garage doors, gates and myQ Remote LED Light. Easily programmed to Security+ and Security+ 2.0 devices.

E148M

POWERFUL ADD-ONS



BATTERY BACKUP

Get in and out when the power's out with Battery Backup.

M-BBU24V



WIRELESS SECURITY KEYPAD

Convenient and safe access to your garage without using a remote control or key.

E840M



FOUR BUTTON CAR VISOR REMOTE CONTROL

Easily attaches to your car visor to control up to 4 garage doors or gates. Can be programmed to Security+ and Security+ 2.0 devices.

E964M

gomerlin.com.au ■ gomerlin.co.nz

¹Additional purchase of Merlin Battery Backup accessory required to enable Battery Backup functionality. Visit gomerlin.com.au or gomerlin.co.nz for further information. ²350kg door rating is based on having installation of Safety IR Beams, slow speed in open and close & installation of the extruded aluminium rails. ³Safety IR Beams must be installed to enable the use of Timer-to-Close. See User Guide for additional information. Smartphone not included. ⁴When compared to other available Merlin products.

Commander Platinum

OUR MOST POWERFUL OPENER - DESIGNED FOR PREMIUM HEAVY DOORS

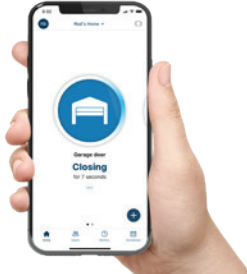
MS135MYQX25 / MS135MYQX30



RESIDENTIAL SECTIONAL GARAGE DOOR OPENER

BATTERY BACKUP CAPABLE

Includes myQ[®] smart technology



APP AVAILABLE ON:



- Set real time notifications to alert you when your garage opens, closes or is left open.
- Monitor and control your garage door from anywhere.
- Share limited guest access with five people you trust.
- Pre-set scheduling to close your garage door at a certain time.
- Protect your loved ones and belongings with The Protector System™ (Safety IR Beams).
- Peace of mind knowing if your garage door is open or closed anywhere and any time.

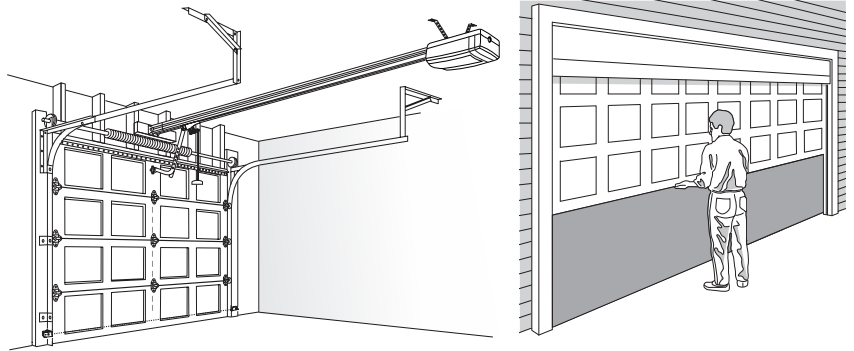
MS135MYQX25

For doors up to 2.5m high

MS135MYQX30

For doors up to 3.0m high

TYPICAL INSTALLATION - SECTIONAL DOORS



- Maximum lifting under spring tensions 20 kg
- Suitable for steel and timber spring balanced doors
- Total door area: 20m²
- Single dwelling, max door weight up to 350 kg⁽²⁾



18-22
SECONDS

22-31
SECONDS

SECURITY



SECURITY+ 2.0[®]

- Encrypted rolling code across multiple frequencies.
- Security+ 2.0[®] technology virtually eliminates interference.

SMART



RADIO

- Provides 2-way communication from door opener to accessories.
- Receiver with 64 memory registers.

ELECTRICAL



LIGHTING: LED LIGHTING

- LED light turns on with activation.
- Turns off 2.5 minutes after operation.

STANDARD SPECIFICATIONS

- Input voltage: 220-240 VAC
- Rated door areas up to: 20m²
- Max door height: 3.0m
- Max door weight: 350 kg⁽²⁾
- Max peak pulling force: 1300N
- Max lift under spring tension: 20 kg
- Radio frequency: 433.30, 433.92, 434.54 MHz with Security+ 2.0 technology
- Minimum headroom required: 50mm
- Extruded (X) Rail with chain drive
- 24C DV motor with thermal overload protection
- Lighting: LED Lighting
- Garage Door Opener Capacity of up to 64 memory registers
- Supplied with myQ technology



WARNING! Product contains coin/button cell batteries. The battery is hazardous. Keep product and batteries away from children. Battery can cause severe or fatal injuries in 2 hours or less if swallowed or placed inside any part of the body. Seek immediate medical attention if it is suspected that a coin/button cell battery has been swallowed or placed inside any part of the body.

Merlin[®]



AUSTRALIA

Chamberlain Australia Pty Ltd
PO Box 1446
Lane Cove NSW 1595
Australia

gomerlin.com.au

1800 638 234

NEW ZEALAND

Chamberlain New Zealand Ltd
PO Box 100-221
North Shore, Auckland 0745
New Zealand

gomerlin.co.nz

0800 653 667

Designed & Engineered in Australia. © 2024 The Chamberlain Group LLC. All Rights Reserved. [®] Registered Trade Marks of The Chamberlain Group, Inc. [™] Trade Marks of Chamberlain Group, Inc.